

PRODUCT INFORMATION PACKET

Model No: 056T11D5209
Catalog No: X235
1,1140,DP,56,3/60/200-230/460
Other Purpose



Regal and Marathon are trademarks of Regal Beloit Corporation or one of its affiliated companies.
©2018 Regal Beloit Corporation, All Rights Reserved. MC017097E





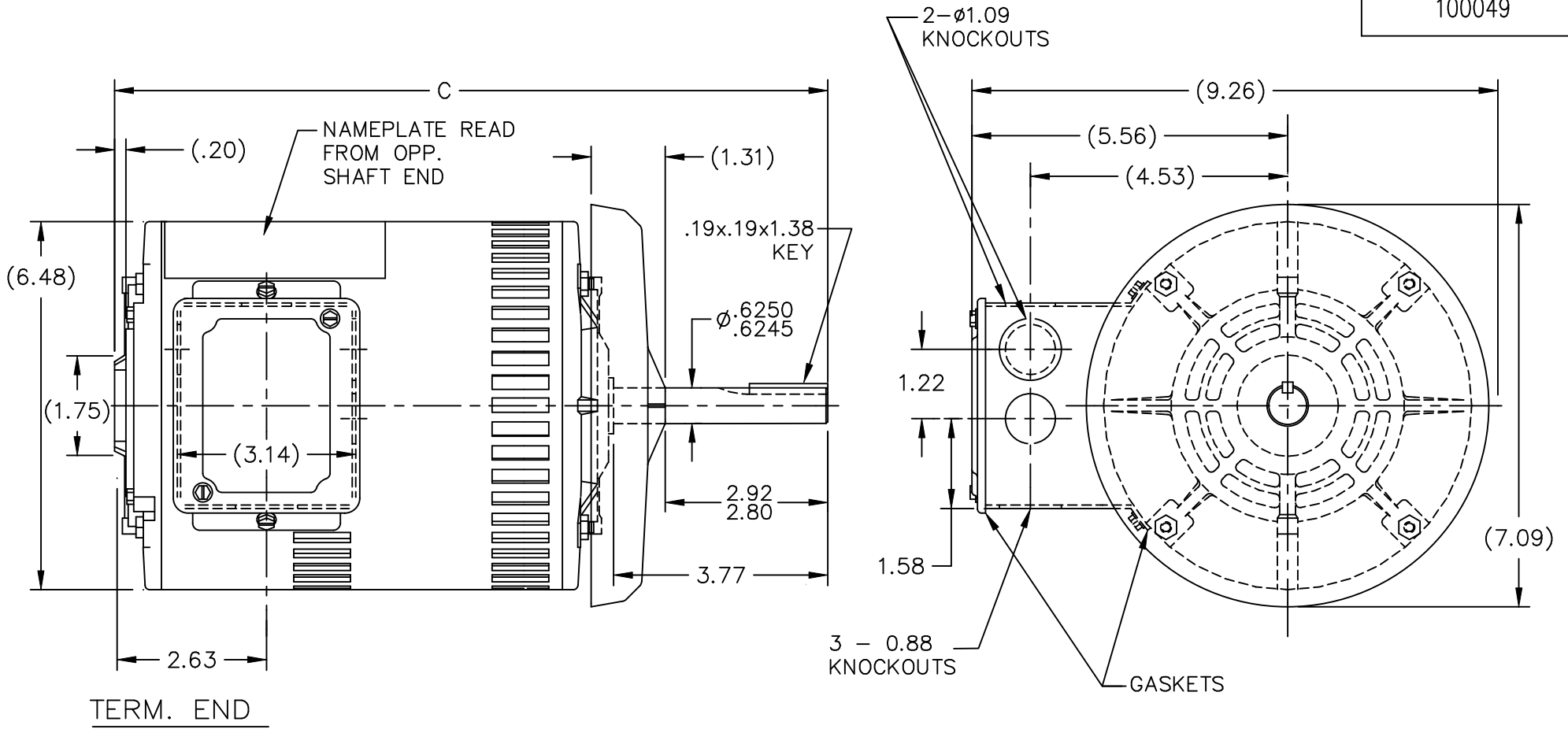
Nameplate Specifications

Output HP	1 Hp	Output KW	0.75 kW
Frequency	60 Hz	Voltage	200-230/460 V
Current	6.6-6.0/3.0 A	Speed	1140 rpm
Service Factor	1	Phase	3
Efficiency	78.1 %	Duty	Continuous
Insulation Class	B	Design Code	NO DESIGN CODE
KVA Code	M	Frame	56
Enclosure	Drip Proof Air Over	Overload Protector	Auto Lock Rotor Only
Ambient Temperature	70 °C	Drive End Bearing Size	6203
Opp Drive End Bearing Size	6203	UL	Recognized
CSA	Y	CE	N
IP Code	22		

Technical Specifications

Electrical Type	Squirrel Cage Induction Run	Starting Method	Across The Line
Poles	6	Rotation	Reversible
Mounting	Round Belly Band	Motor Orientation	Horizontal
Drive End Bearing	Ball	Opp Drive End Bearing	Ball
Frame Material	Rolled Steel	Shaft Type	T
Overall Length	14.8 in	Shaft Diameter	0.625 in
Shaft Extension	1.88 in	Assembly/Box Mounting	F1 Only
Outline Drawing	A-100049-888	Connection Diagram	A-EE7335

This is an uncontrolled document once printed or downloaded and is subject to change without notice. Date Created: 06/29/2018



TERM. END

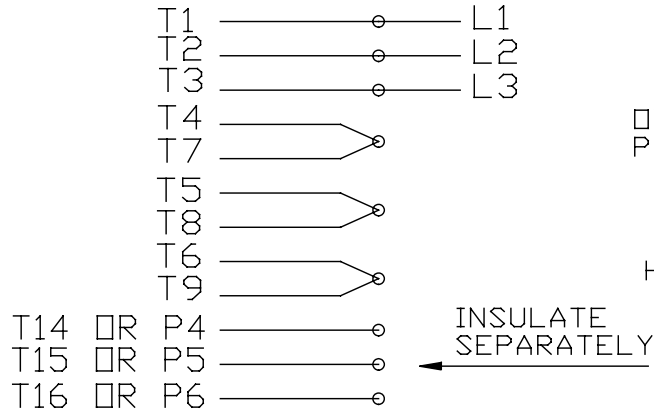
DASH	FRAME	C		
888	56	14.80		
988	56	15.80		

NOTES:
CONDUIT BOX CAN BE ROTATED 180°

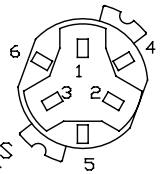
			TOLERANCES UNLESS SPECIFIED				DRAWN LZ 01-11-1994			
NO.	REVISION	BY & DATE	CHK	ANG	\pm '30"		CHK	ML 01-13-1994	APPD	GK 01-13-1994
10	REVISED DRIP COVER LOCATION CN09-2076	TJW 6/4/2009	CTO	DEC.	INCHES	TITLE OUTLINE 56 - 140FR. - DR. PR. MAT'L. FINISH	SCALE 3=8			
9	REVISED DRIP COVER GEOMETRY CN 39497	DRS 08-29-2005	ML	.X	± 1		REF			
8	CHG. D.E. EXT & STEP F-4.19 T-3.77 CN32803	RWR 08-05-2004	ML	.XX	± 03		FMF			
7	REVISED BRG. STEP CN 31690	TJB 06-12-2002	ML	.XXX	± 005		PREV			
6	REDRAWN ON CADD	LZ 02-02-1994		.XXXX	± 0005					
THIS DRAWING IN DESIGN AND DETAIL IS OUR PROPERTY AND MUST NOT BE USED EXCEPT IN CONNECTION WITH OUR WORK ALL RIGHTS OF DESIGN AND INVENTION ARE RESERVED THIS IS AN ELECTRONICALLY GENERATED DOCUMENT - DO NOT SCALE THIS PRINT			RFP	CAD FILE 100049			SIZE	DRAWING NO. PAGE 1 OF 1		REV.
			DIST	WP			A	100049		10

EE7335

HIGH VOLTAGE CONNECTIONS



THREE PHASE - DUAL VOLTAGE MOTOR WITH OVERLOAD PROTECTOR

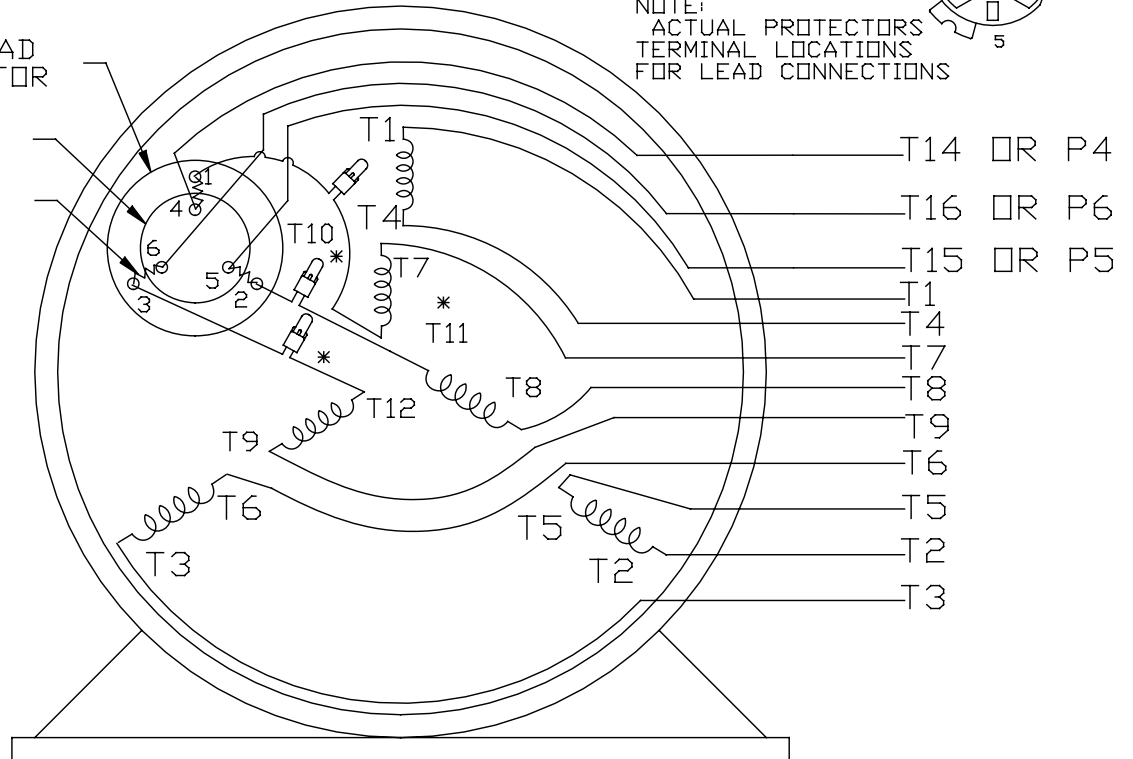


NOTE:
ACTUAL PROTECTORS
TERMINAL LOCATIONS
FOR LEAD CONNECTIONS

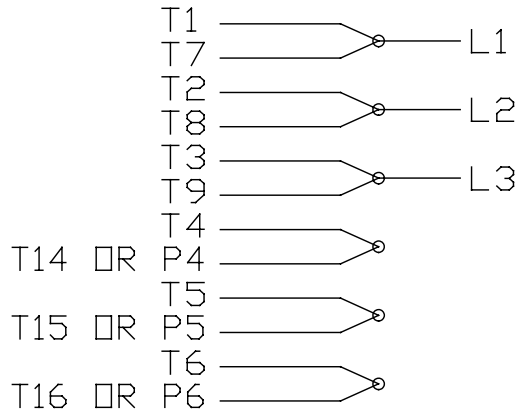
OVERLOAD
PROTECTOR

DISC

HEATER



LOW VOLTAGE CONNECTIONS



VIEW OF TERMINAL END

* USE PRESSURE CONNECTORS FOR MT2 PLANT ONLY

T2K
T4D
T6AN

NO.	REVISION	BY & DATE	CHK	TOLERANCES UNLESS SPECIFIED		FINISH	DRAWN	SCALE	REV.
				DEC.	INCHES				
17	CHANGED LOGO FROM MARATHON TO REGAL	KIR 02/16/16	AB	DEC.	INCHES	Regal Beloit America, Inc.	KL	08-09-1993	
16	PRESSURE CONNECTORS QUANTITY WAS 6	PVR 10/29/13	GR	.X	±.1		CHK	ML	08/10/1993
15	PRESSURE CONNECTORS ADDED	GR 03/04/13	SR	.XX	±.01	TITLE 3Ø-DUAL VOLT WITH OVERLOAD PROTECTO	APPD	GK	08/10/1993
14	ADDED ACTUAL PROECTOR VIEW CN 17481	KL 05/18/94		.XXX	±.005		SCALE		1=1
13	REDRAWN IN AUTO CAD	KL 08/11/93		.XXXX	±.0005	MAT'L.	REF		
					±1/2*		FMF		
							PREV		
THIS DRAWING IN DESIGN AND DETAIL IS OUR PROPERTY AND MUST NOT BE USED EXCEPT IN CONNECTION WITH OUR WORK ALL RIGHTS OF DESIGN AND INVENTION ARE RESERVED THIS IS AN ELECTRONICALLY GENERATED DOCUMENT - DO NOT SCALE THIS PRINT				RFP	CAD FILE	EE7335	SIZE	DRAWING NO.	REV.
				DIST			A	EE7335	17

CERTIFICATION DATA SHEET

Model#: 56T11D5209 E **WINDING#:** ZT668 R1 3
CONN. DIAGRAM: A-EE7335 **ASSEMBLY:** F1 ONLY
OUTLINE: A-100049-888

TYPICAL MOTOR PERFORMANCE DATA

HP	KW	SYNC. RPM	F.L. RPM	FRAME	ENCLOSURE	KVA CODE	DESIGN
1	.75	1200	1140	56	DPAO	M	NO DESIGN CODE

PH	Hz	VOLTS	FL AMPS	START TYPE	DUTY	INSL	S.F	AMB°C	ELEVATION
3	60	200-230/460	6.6-6/3	ACROSS THE LINE	CONTINUOUS	B3	1.0	70	3300

FULL LOAD EFF: 0	3/4 LOAD EFF: 0	1/2 LOAD EFF: 0	GTD. EFF	ELEC. TYPE	NO LOAD AMPS
			-20	SQ CAGE IND RUN	0 / 0

F.L. TORQUE	LOCKED ROTOR AMPS	L.R. TORQUE	B.D. TORQUE	F.L. RISE°C
0 LB-FT	25.2 / 12.6	13.3 LB-FT -	18.2 LB-FT -	0

SOUND PRESSURE @ 3 FT.	SOUND POWER	ROTOR WK^2	MAX. WK^2	SAFE STALL TIME	STARTS /HOUR	APPROX. MOTOR WGT
- dBA	- dBA	0.11 LB-FT^2	45 LB-FT^2	15 SEC.	2	40 LBS.

***** SUPPLEMENTAL INFORMATION *****

DE BRACKET TYPE	ODE BRACKET TYPE	MOUNT TYPE	ORIENTATION	SEVERE DUTY	HAZARDOUS LOCATION	DRIP COVER	SCREENS	PAINT
STANDARD	STANDARD	ROUND BELLY BAND	HORIZONTAL	FALSE	NONE	FALSE	NONE	GRAY (POWDER)

BEARINGS		GREASE	SHAFT TYPE	SPECIAL DE	SPECIAL ODE	SHAFT MATERIAL	FRAME MATERIAL
DE	OPE	POLYREX EM	T	NONE	NONE	1144 STRESSPROOF (C-223)	ROLLED STEEL
BALL	BALL						
6203	6203						

THERMO-PROTECTORS				THERMISTORS	CONTROL	SPACE /n HEATERS
THERMOSTATS	PROTECTORS	WDG RTDs	BRG RTDs			
NONE	AUT LCK RTR ONLY	NONE	NONE	NONE	FALSE	NONE VOLTS

If Inverter equals NONE, contact factory for further information

INVERTER TORQUE: NONE
INV. HP SPEED RANGE: NONE
ENCODER: NONE
NONE NONE
NONE NONE PPR
BRAKE: NONE NONE
NONE P/N NONE
NONE NONE
NONE FT-LB NONE V NONE Hz

*
N
O
T
E
S
*

DATE: 06/21/2017 09:19:16 AM
 FORM 3531 REV.3 02/07/99
 ** Subject to change without notice.